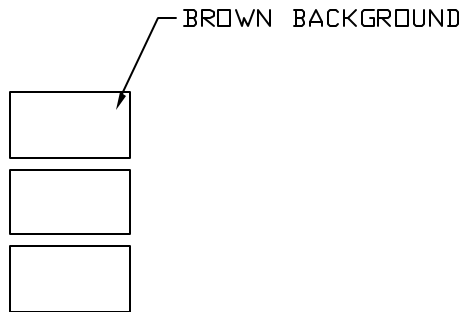
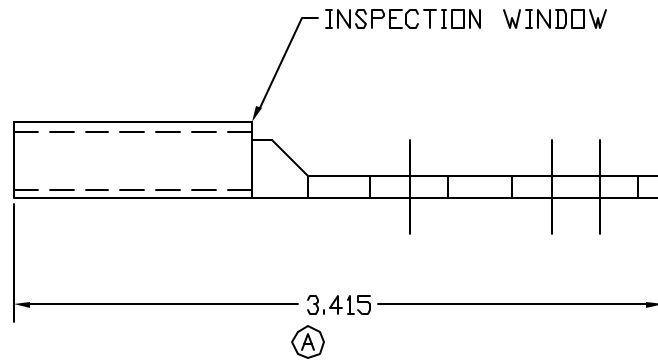
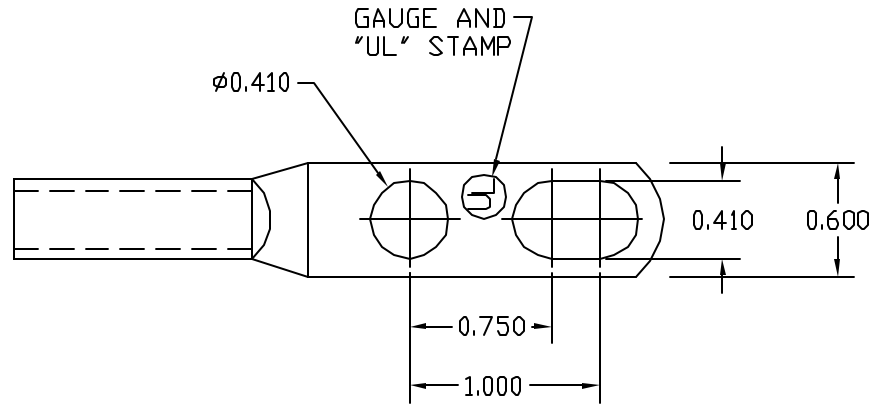


BARREL LABEL, TOP HALF



BARREL LABEL, BOTTOM HALF



(B)

| | | | | | | | |
|--|--------------------------|------------------------|--------|--------|--|--|-----------|
| THIS DOCUMENT AND THE CONTENTS THEREOF IS THE PROPERTY OF HARGER INC., AND IS FURNISHED TO YOU FOR INFORMATION ONLY. THE INFORMATION CONTAINED HEREIN IS CONFIDENTIAL AND OF A PROPRIETARY NATURE AND MUST NOT BE DISCLOSED TO THIRD PARTIES WITHOUT THE EXPRESS WRITTEN APPROVAL OF HARGER INC. | | | | | PART NO. GECLB22BC | | |
| | C | HOLE TOL WAS .02 | 100903 | WSM | | | |
| | B | WAS 40D | 101802 | LAL | DRAWN BY: | | REVISION: |
| | A | WAS 3.350, 1.200, .575 | 090502 | LAL | WSM | | C |
| | LET | REVISION | DATE | BY | CHECKED BY: | | SCALE: |
| | TOLERANCES UNLESS NOTED: | | | | | | |
| | FRACTIONAL | +/- | 1/64 | | | | |
| | .00 | +/- | .010 | | | | |
| | .000 | +/- | .005 | | | | |
| | | | | DATE: | | | |
| | | | | 080702 | | | |
| | | | | | | | |
| | | | | | 301 ZIEGLER DRIVE GRAYSLAKE, IL 60030 (847) 548-8700 | | |
| | | | | | | | SHEET: |
| | | | | | | | 1 OF 1 |